

# C18P/BP-2A

capacitive

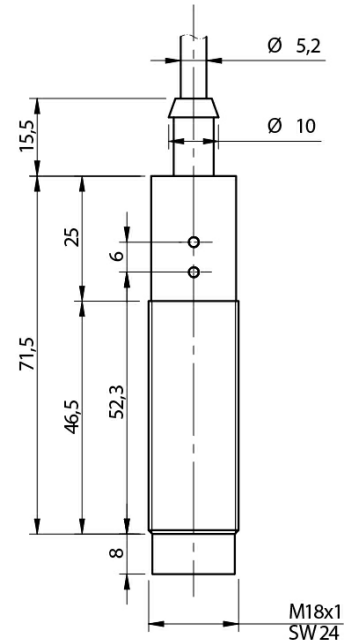


Micro Detectors

Italian Sensors Technology



Indicative image



## Detection properties

Nominal sensing distance	3...12mm
Thermal drift of Sr	< 20%
Repeat Accuracy	5%
Sensitivity adjustment	Yes
Hysteresis	≤ 20%

## Outputs

Output type	PNP
Output Function	NO + NC
Switching frequency	50Hz

## Electrical data

Operating Voltage	10 - 40Vdc
No-Load supply current	≤12mA
Load current	≤ 200mA
Leakage current	≤ 100µA
Output voltage drop	≤ 2,5V @ IL = 200mA
Max ripple content	≤10%
LED indicators	Yellow LED (object detected)

Time delay before availability	≤ 200ms
Short-circuit protection	polarity reversal, overvoltage
Reverse Polarity Protection	Yes
Impulsive Overvoltage Protection	Yes

## Mechanical data

Dimensions	M18 x 1 / L = 99mm
Mounting	Unshielded
Weight	150g
Housing Material	thermoplastic polyester
Connections	2m PVC cable
Active Head Material	thermoplastic polyester
Tightening torque	2,6Nm
Operating temperature	-35°C...+85°C (without freeze)
Storage temperature	-40°C...+85°C

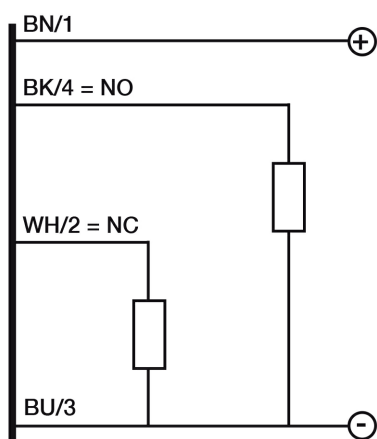
## Test/Approvals

Approvals	CE cULus
EMC compatibility	IEC 60947-5-2
Shocks and vibrations	Vibration IEC 60068-2-6 / Shock IEC 60068-2-27
Degree of protection	IP 67 - IP68 (60min) - IP69K - NEMA 1, 2, 4, 4x, 5, 6, 6p, 12

## Accessories

Supplied Accessories	screw driver, 2 x M18 nuts
----------------------	----------------------------

# ELECTRICAL DIAGRAMS OF THE CONNECTIONS



---

**M.D.Micro Detectors S.p.A.**

Strada S.Caterina, 235

41122 Modena (MO)

Tel. 059 420411

Fax 059 253973

E-mail [info@microdetectors.com](mailto:info@microdetectors.com)

**date of printing**

17/09/2019 12:34:56