

C30P/BP-2E

capacitive

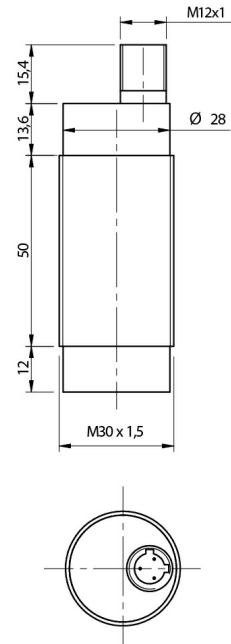


Micro Detectors

Italian Sensors Technology



Indicative image



Detection properties

Nominal sensing distance	4...25mm
Thermal drift of Sr	< 20%
Repeat Accuracy	5%
Sensitivity adjustment	Yes
Hysteresis	≤ 20%

Outputs

Output type	PNP
Output Function	NO + NC
Switching frequency	30Hz

Electrical data

Operating Voltage	10 - 40Vdc
-------------------	------------

No-Load supply current	≤12mA
Load current	≤ 200mA
Leakage current	≤ 100μA
Output voltage drop	2,5Vmax @ IL=200mA
Max ripple content	≤10%
LED indicators	Yellow LED (object detected)
Time delay before availability	≤200ms
Short-circuit protection	Yes, autoreset
Reverse Polarity Protection	Yes
Impulsive Overvoltage Protection	Yes

Mechanical data

Dimensions	M30 / L = 91mm
Mounting	Unshielded
Weight	100g
Housing Material	polyester
Connections	M12 plug
Active Head Material	polyester
Tightening torque	50Nm
Operating temperature	-25°C...+80°C (without freeze)
Storage temperature	-40°C...+85°C

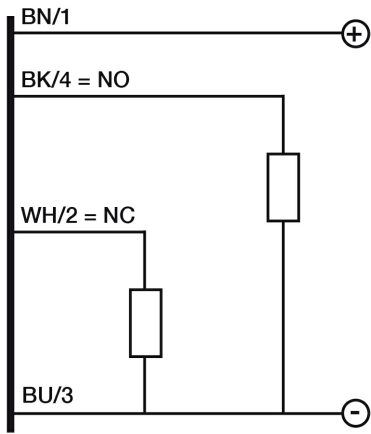
Test/Approvals

Approvals	CE cULus
EMC compatibility	IEC 60947-5-2
Shocks and vibrations	Vibration IEC 60068-2-6 / Shock IEC 60068-2-27
Degree of protection	IP 67 (EN60529) NEMA 1,3,4,13

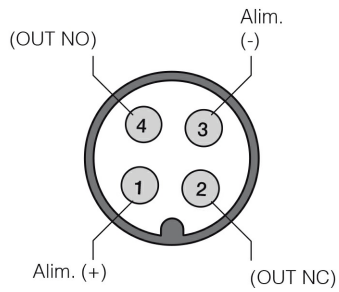
Accessories

Supplied Accessories	screw driver, 2 x M30 nuts
----------------------	----------------------------

ELECTRICAL DIAGRAMS OF THE CONNECTIONS



CONNECTOR



M.D. Micro Detectors S.p.A.

Strada S. Caterina, 235

41122 Modena (MO)

Tel. 059 420411

Fax 059 253973

E-mail info@microdetectors.com

date of printing

17/09/2019 13:10:04